



**Electrolux**  
PROFESSIONAL

## Premium Preparation 1200 mm Sink Unit with 2 Bowls

ITEM # \_\_\_\_\_

MODEL # \_\_\_\_\_

NAME # \_\_\_\_\_

SIS # \_\_\_\_\_

AIA # \_\_\_\_\_



133109 (LG1225EN)

Sink Unit with 2 bowls  
(500x500x300mm), 1200mm

### Short Form Specification

Item No. \_\_\_\_\_

The 50mm high worktop in 304 AISI stainless steel, 1,2mm in thickness, is sound-deadened and has an overflow rim and welded corners. Integral rear upstand, h=100mm, with 10mm radius. All-round apron panelling in 304 AISI s/s. Round section legs and feet in 304 AISI stainless steel, 50mm in diameter. Height-adjustable feet (+0-50mm). Single-pressed, sound-deadened bowls mm 500x500x300h with overflow pipe and drain hole (2").

### Main Features

- Sturdiness, stability and reliability of table accurately tested.

### Construction

- 100 mm upstand with 10 mm radiused corner and 13 mm deep, designed to be used against a wall.
- Round section legs with feet in 304 AISI stainless steel, 50 mm in diameter, adjustable in height by +0/-40 mm.
- 50 mm thick lower shelf, in 304 AISI stainless steel, can be easily slotted into position, 200 mm from the floor.
- Delivered in knock-down package.
- Wide range of taps are available to suit every need.
- Heavy duty construction entirely in AISI 304 stainless steel to offer maximum durability.

### Optional Accessories

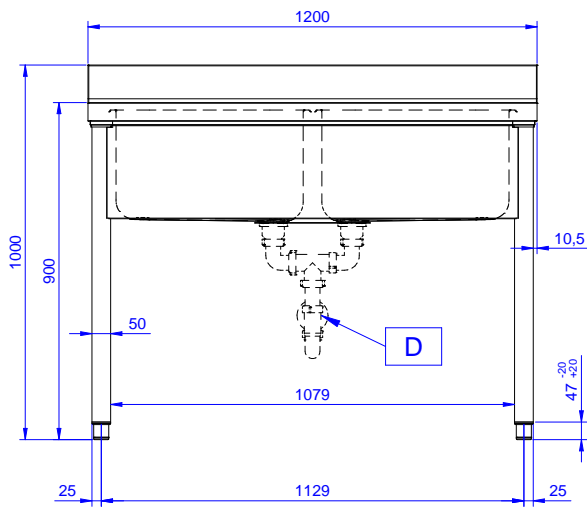
- Lower shelf for 1200mm for units PNC 855282
- Set of 4 wheels (2 with brake) d. 100mm PNC 855288
- 3-sided underframe for 1200mm tables PNC 855290
- Elbow operated mixer tap with spout 3/4", single hole PNC 855322
- Elbow operated mixer tap with short spout 3/4", single hole PNC 855323
- Foot operated mixer tap (hot and cold) with spout 3/4" PNC 855328
- Single plastic drain syphon 2" for Sinks PNC 895313

APPROVAL: \_\_\_\_\_

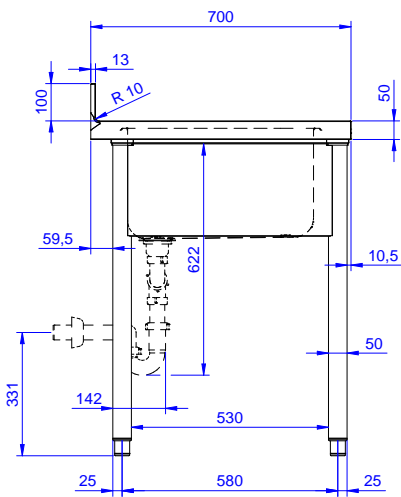


Experience the Excellence  
[www.electroluxprofessional.com](http://www.electroluxprofessional.com)

Front

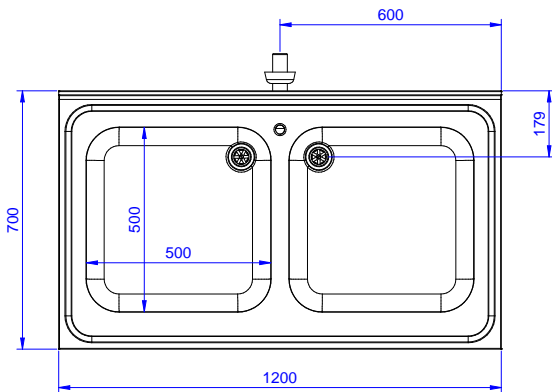


Side



D = Drain

Top





**Key Information:**

External dimensions,  
Width:

133109 (LG1225EN) 1200 mm

External dimensions,  
Depth:

700 mm

External dimensions,  
Height:

900 mm

Upstand Dimensions,  
Height:

100 mm

Upstand Dimensions,  
Depth:

13 mm

Upstand Dimensions,  
Radius:

R=10

Bowls number

2

Bowl dimensions

500x500xH300

Worktop thickness:

50 mm

Net weight:

42 kg

